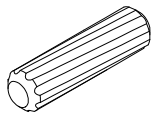
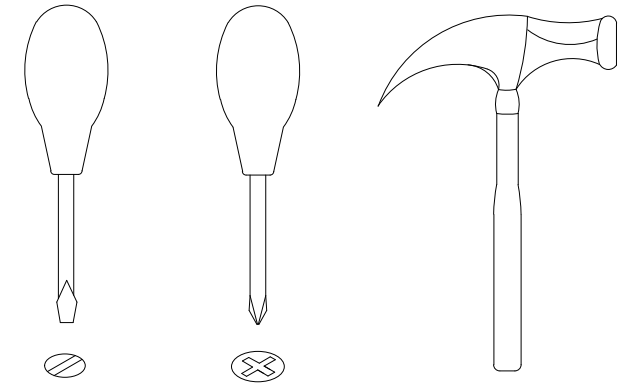
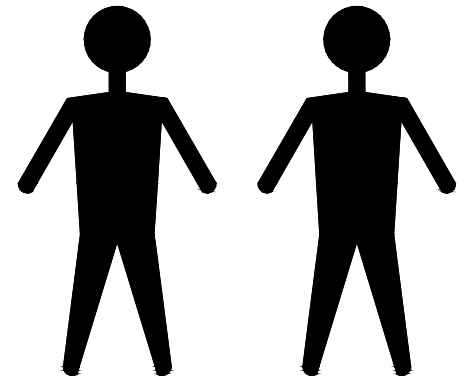
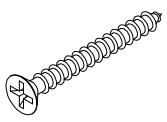


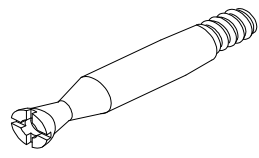
MDI. CHD. MRB. 5



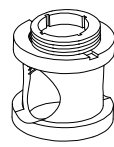
A x4
Spec: $\phi 8 \times 30$



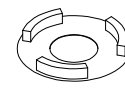
B x6
Spec: $\phi 3.8 \times L38$



C x8
Spec: $\phi 7 \times L48$



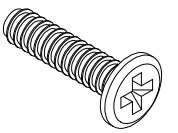
D x8
Spec: $\phi 15 \times H15$



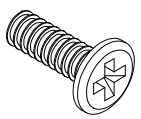
E x12
Spec:



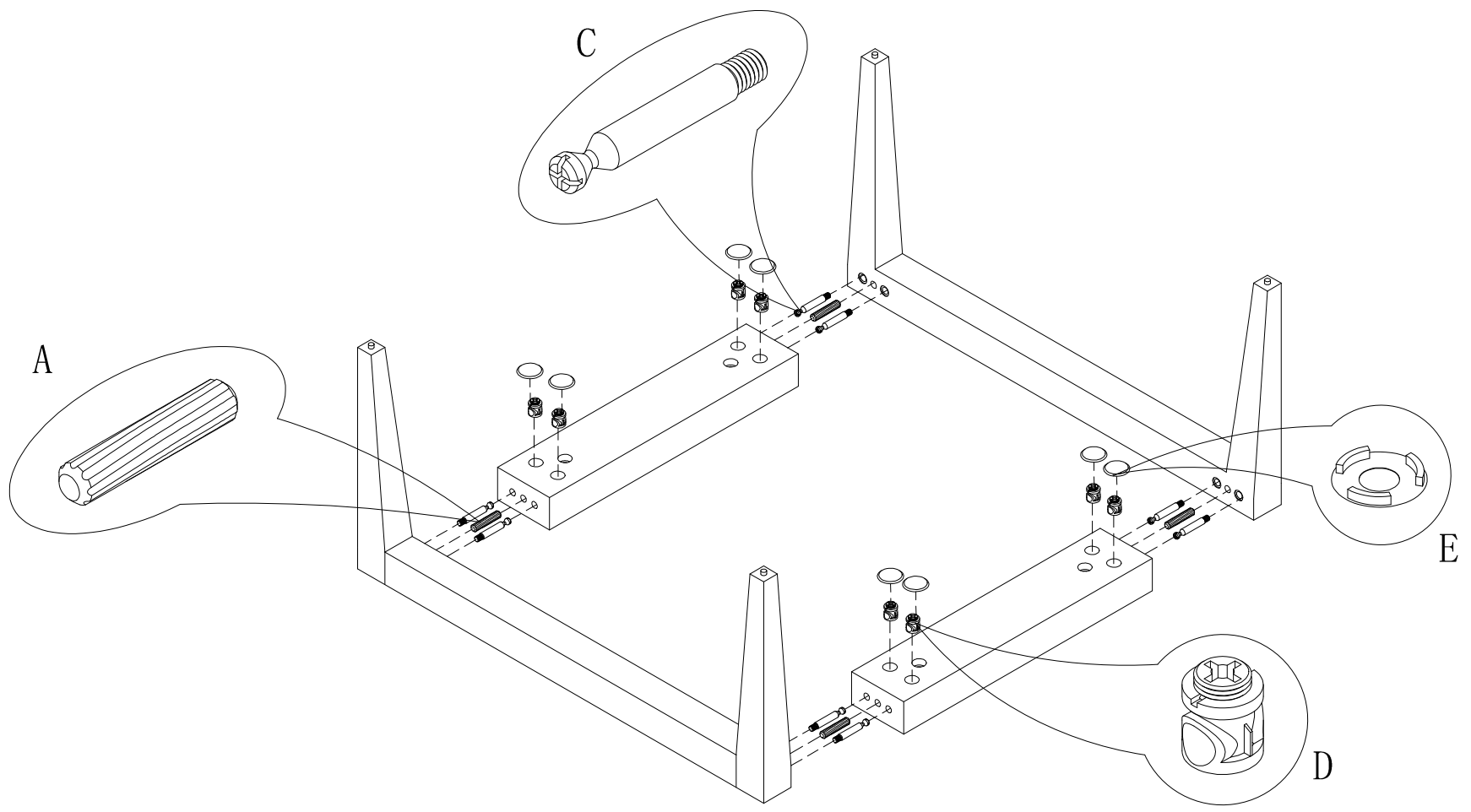
F x8
Spec: $\phi 8 \times \phi 14$



G x4
Spec: M6*45

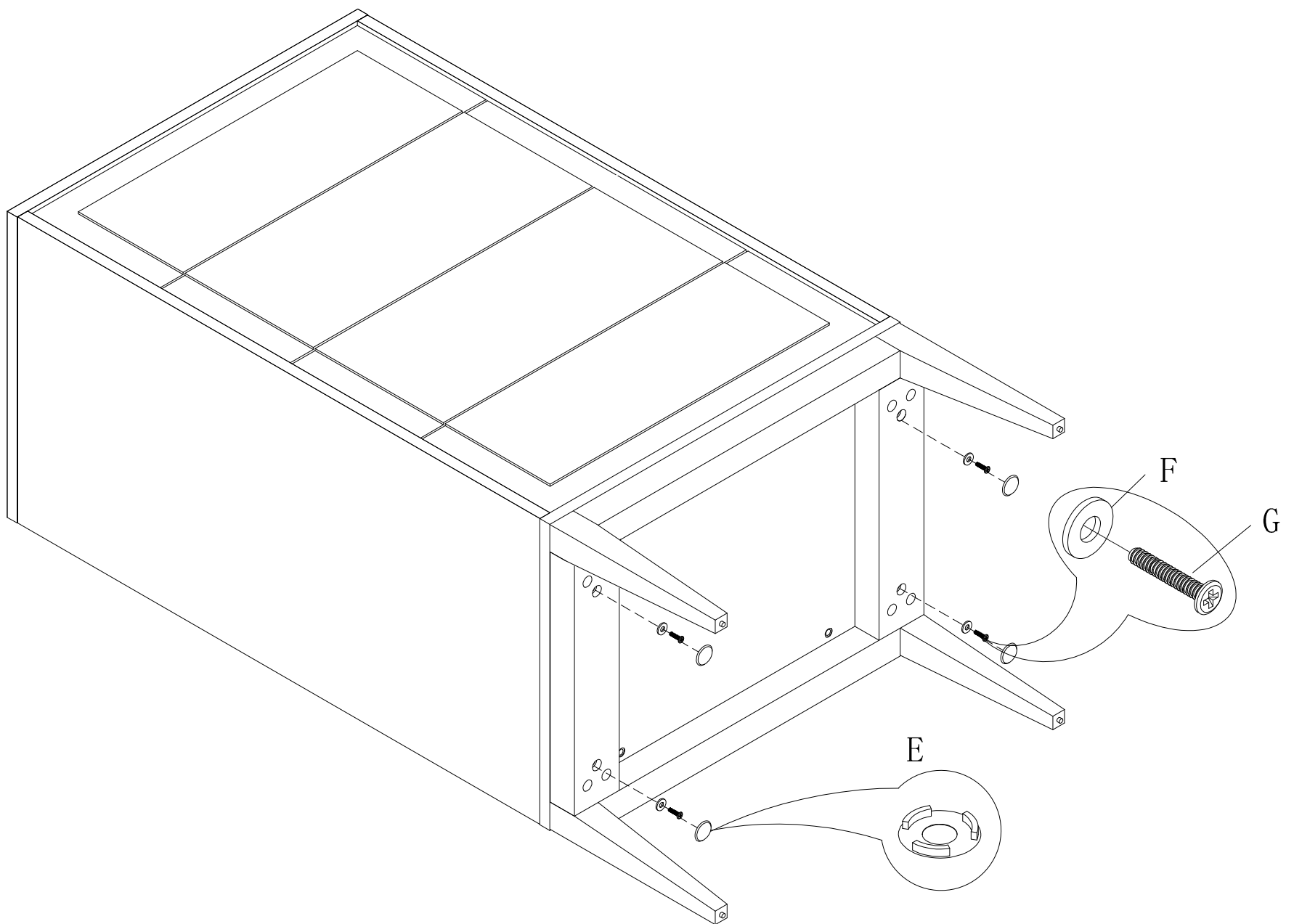


H x4
Spec: M6*35



1

2



3

